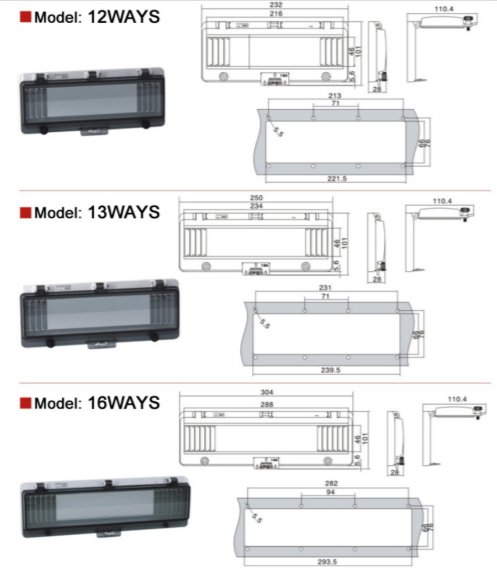


## HS Series Transparent window cover



### Product accessories

#### Attachment 1

- ① Hoisting bracket
- ② Hoisting bracket screw
- ③ Guide rail
- ④ Guide rail mounting screw



**Note: additional accessories need to be purchased separately.**

## Solar tools

**CHYT**

### Application

Suitable for crimping the cable of 2.5-6.0mm<sup>2</sup>(AWG10-14) Suitable for solar system installation site, flexible application.



### Specifications

Type	Capacity	AWG	Length	Weight
A-2546B	2.5/4.0/6.0mm <sup>2</sup>	14-10AWG	270mm	0.74kg

### Features

1. The new PV Crimping Pliers precision pressure line module locking (self locking and releasing mechanism ) and the overall design
2. In the the repeated pressure line to maintain a higher standard of quality pressure line
3. The excellent lever transmission design, isobar larger cross-section of the wire, the more labor-saving
4. Ergonomic design
5. The positioning device can be fixed in the jaw , to ensure precise positioning of the terminal of the pressure line
6. Pressure line film and locator under the pressure line terminal selected

## Application

1. MC 4 2.5 4 & 6mm<sup>2</sup>;
2. Precision locator for terminal positions;
3. 1.2 metric tones pressure with minimal hand effort;
4. Interchangeable die set;
5. Length:230 mm;
6. Weight:0.55 kg.



Type	Capacity	AWG	Length	Weight
LY-2546B	2.5/4.0/6.0mm <sup>2</sup>	14-10AWG	230mm	0.55kg

## Cable Stripper

1. Scissors stripping single strand and standard wire;
2. Head and handle 23 °angle design tools and wrist bending closely with;
3. Use more comfortable and convenient;
4. Automatically spring back, the spring means to facilitate opening;
5. The incision ministry precision ground milled, high precision internal stripping;
6. Built-in security lock, head clamping function;
7. Two-color handle, comfortable grip;
8. Tools black heat-treated, more durable.

Type	Wire Stripping	Length	Weight
LS-5021B	0.9-6.0mm <sup>2</sup>	170mm	0.16kg

## MC4 Wrench

1. 100% Brand New and High Quality
2. This spanner is suitable for assembling and disassembling of MC4 male/female plug
3. Light weight, portable and easy to use
4. Double wrenches- quick screw down
5. Very light and very strong and smooth
6. Saved time and manpower for installation

## Application

HSC8 series self-adjusting crimping jaw, range: 0.25-10mm<sup>2</sup>. It is suitable for industrial production, line installation and wiring of high and low voltage complete sets of equipment to meet the daily needs of most industries.



## Specifications

Model	Capacity	AWG	Handle color	Crimp port	Applicable terminal	Weight
HSC8 6-4A White head	0.25-10mm <sup>2</sup>	23-7	Black and red	Quadrilateral	VE/EN/TE	0.38kg
			Black and yellow			
			Black and blue			
			Red and blue			
HSC8 6-4A Black head	0.25-10mm <sup>2</sup>	23-7	Black and red	Quadrilateral	VE/EN/TE	0.38kg
			Black and yellow			
			Black and blue			
			Red and blue			
HSC8 6-6A	0.25-6mm <sup>2</sup>	23-10	Black and red	Hexagon		0.38kg
			Black and yellow			
			Black and blue			
			Red and blue			

## Features

1. Ergonomic design handle
2. High hardness jaw
3. Self reset design
4. Ratchet locking device